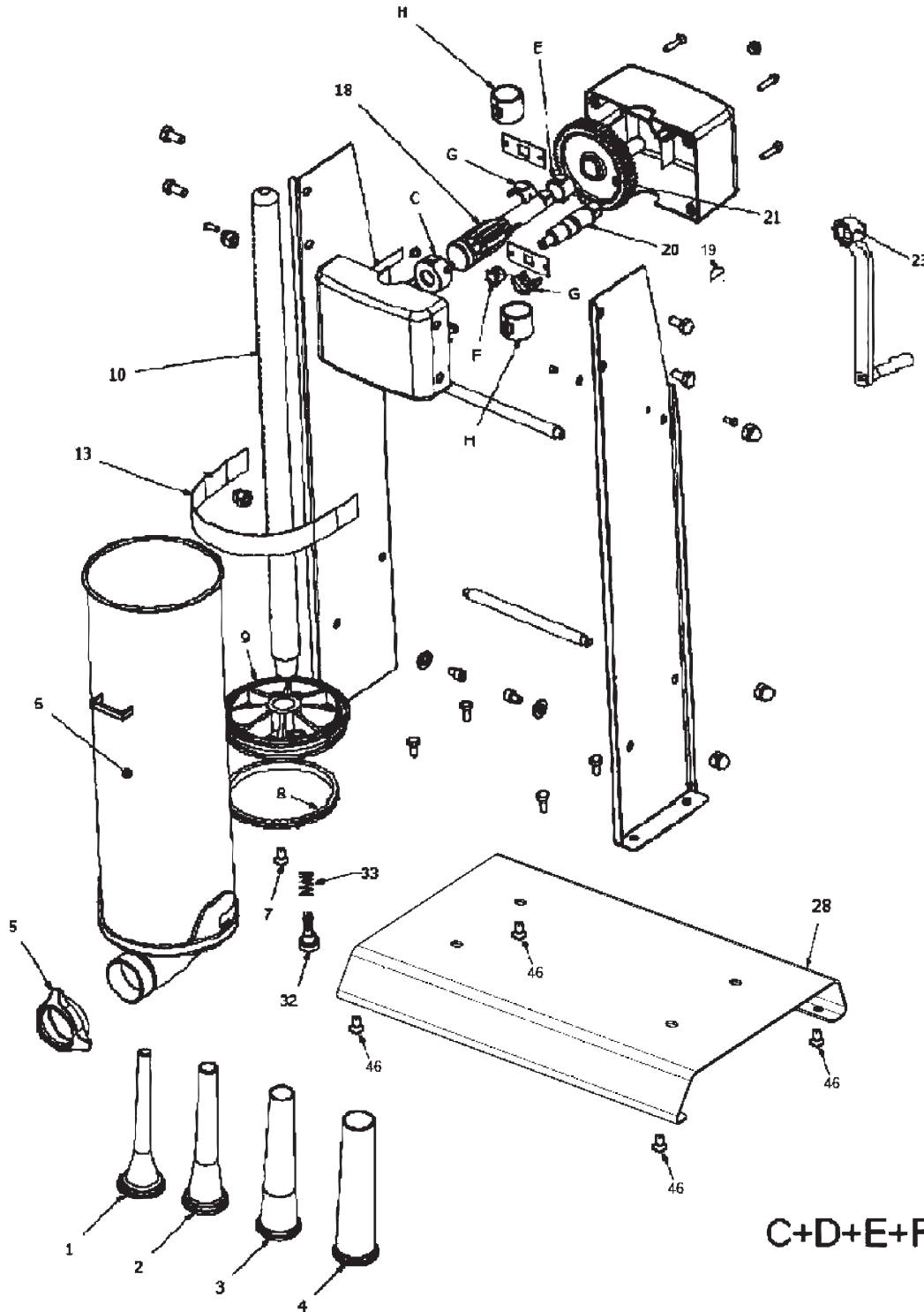


# Parts Breakdown

Item 44924



$$8+9= 108$$

$$32+33= 132$$

$$(46 \times 4)= 146$$

$$C+D+E+F+G+H = 44$$

# Parts Breakdown

---

## Item 44924

Item No.	Description	Position	Item No.	Description	Position	Item No.	Description	Position
10124	Plastic S. Spout 10mm for 44924	1	15286	Gasket Silicone for 44924	8	15283	Handle for 44924	23
10125	Plastic S. Spout 20mm for 44924	2	66998	Rack for 44924	10	78695	Metal Base for 44924	28
10126	Plastic S. Spout 30mm for 44924	3	66999	Cylinder Holder for 44924	13	24837	Plastic Bushing Kit for 44924	44
10127	Plastic S. Spout 40mm for 44924	4	15289	Rack Controlling Shaft for 44924	18	15284	Piston and Gasket for 44924	108
15279	Screw Ring for 44924	5	20037	Key for 44924	19	15313	Air Valve and Spring for 44924	132
15298	Cylinder for 44924	6	15288	Pinion for 44924	20	69321	Set of 4 Feet for 44924	146
15285	Piston Screw for 44924	7	18655	Reducer Wheel for 44924	21	61887	Complete Gear Block for 44924	